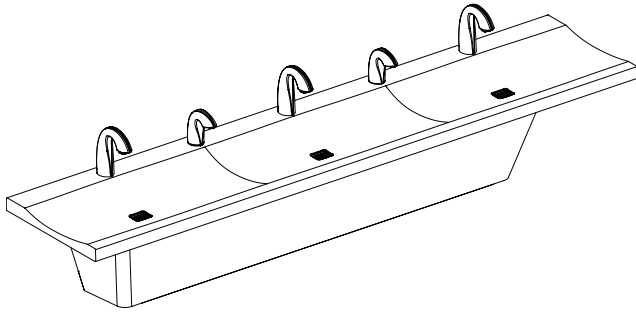


# Installation

## LVSD3

Verge® Lavatory System – LVS-Series  
with Evero® Natural Quartz Material



### Table of Contents

Safety Information .....	2
Supplies Required .....	2
Components .....	3
Dimensions .....	4
Structural Rough-Ins .....	6
Plumbing and Electrical Rough-Ins – Shared Soap .....	7
Plumbing and Electrical Rough-Ins – Personal Soap .....	8
Plumbing and Electrical Rough-Ins – Multi-Feed Shared Soap .....	9
Plumbing and Electrical Rough-Ins – Multi-Feed Personal Soap .....	10
Bracket Mounting .....	11
Drain Assembly .....	11
Faucet and Soap Installation .....	12
Bowl Mounting (to Bracket and Wall) .....	12
Strainer and P-Trap .....	13
Adjust Temperature with Water Running .....	13
Access Panel – Fold-Up Option .....	14
Access Panel – Swing-Down Option .....	14
Cleaning and Maintenance .....	15



**Read the instructions in this manual before beginning installation. Save these instructions and refer to them for inspection, maintenance, and troubleshooting information.**

For questions regarding the operation, installation or maintenance of this product, visit [bradleycorp.com](http://bradleycorp.com) or call 800.BRADLEY (800.272.3539). Product warranties and parts information may also be found under “Resources” on our website at [bradleycorp.com](http://bradleycorp.com).



## Safety Information

### **⚠ WARNING**

Make sure that all water supply lines have been flushed and then completely turned off before beginning installation. Debris in supply lines can cause valves to malfunction.

Turn OFF electrical power to the electrical outlets, then unplug all electrical units prior to installation. Electrical power **MUST** remain off until installation is complete.

Installer's hardware must be appropriate for wall construction. Wall anchors must have a minimum pull-out rating of 1,000 pounds.

### **IMPORTANT**

Read this entire installation manual to ensure proper installation. When finished with the installation, file this manual with the owner or maintenance department. Compliance and conformity to local codes and ordinances is the responsibility of the installer. Product warranties may be found under "Products" on our Website at [www.bradleycorp.com](http://www.bradleycorp.com).

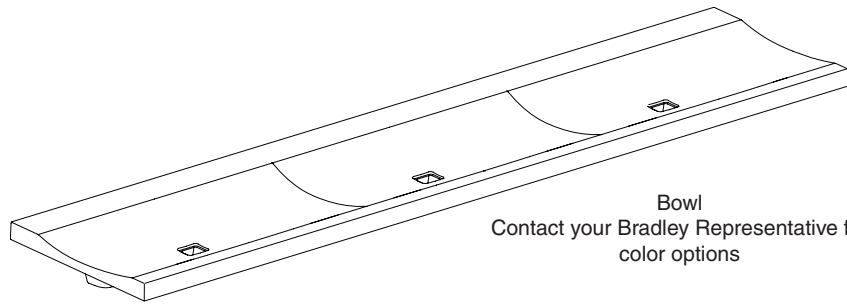
Separate parts from packaging and make sure all parts are accounted for before discarding any packaging material. If any parts are missing, do not begin installation until you obtain the missing parts.

For standard height mounting, do not exceed the recommended 33.5" distance from the fixture rim to the finished floor.

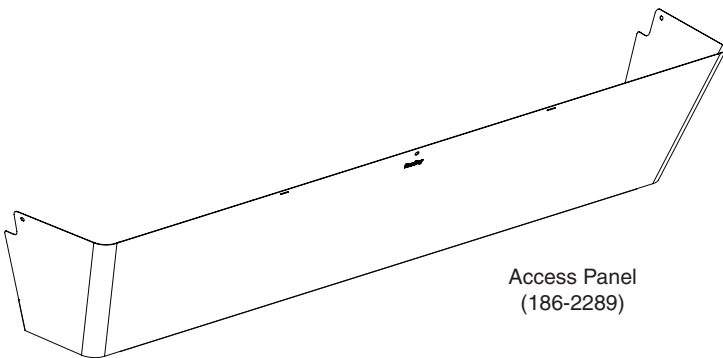
## Supplies Required

- (6) 3/8" fasteners and wall anchors for bowl and wall bracket (minimum pull-out rating of 1,000 lb)
- (2) 1/4" fasteners and wall anchors for access panel brackets (minimum pull-out rating of 100 lb)
- 1/2" hot/cold or tempered stub-out
- 1 1/2" NPT drain stub-out(s)
- OPTIONAL: (3) 110V GFCI protected electrical outlets for 100–120VAC plug-in transformers only
- OPTIONAL: (3) 3/8" NPS x 3/8" NPT Male Adapter for IR-DCD faucet only
- Screen filter(s) as needed, if not included with faucet(s)
- Drill
- Crescent wrench
- Tape measure
- Phillips screw driver
- Flat head screw driver
- Level

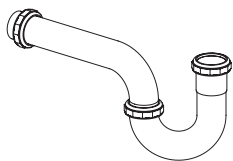
# Components



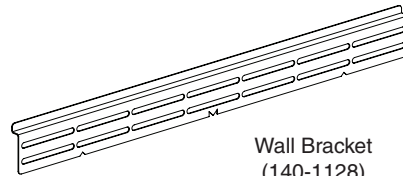
**Bowl**  
Contact your Bradley Representative for color options



**Access Panel (186-2289)**



**Individual Rough-In Option**  
Chrome P-Trap (S29-094)  
Plastic P-Trap (269-1697)



**Wall Bracket (140-1128)**

**Complete Drain Prepack (S45-2862)**

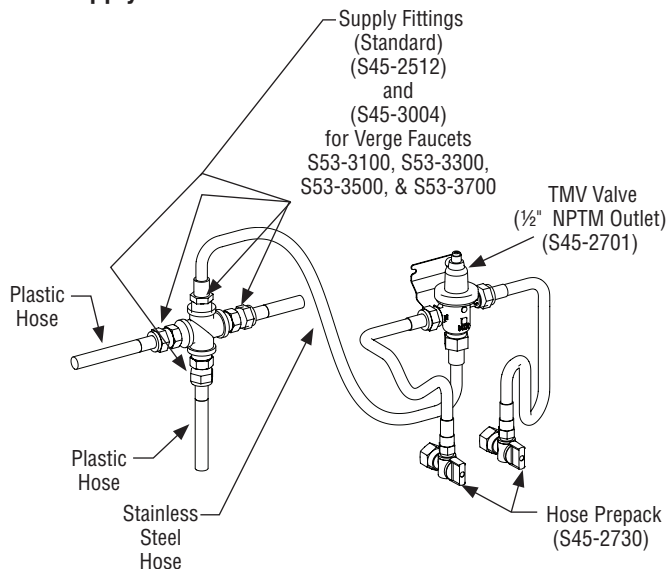
- Prepack (S45-2861)
- \*Screw
- Strainer
- \*Standoff, Hex, SS #6-32 x 1"
- Drain Adapter Prepack (S45-2480)
- O-Ring (125-111)
- Drain Adapter
- Packing Washer
- #10-24 Screw
- \*Screw #6-32 x 1-1/4" Pan

\*Included in Prepack S45-2778

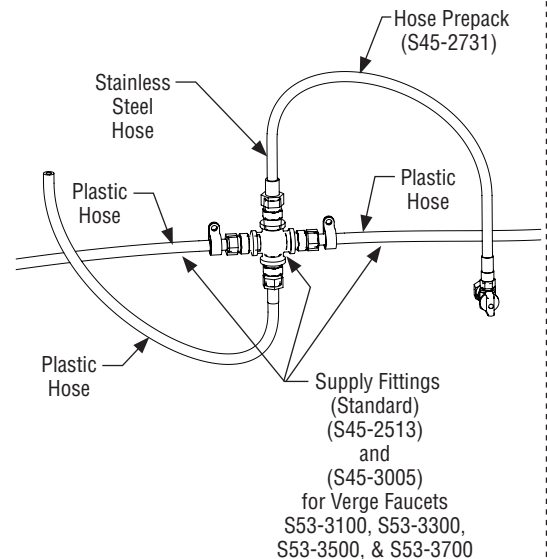
**Evero Matte Fastener Prepack (S45-3046)**

- #10 Access Panel Thumb Screw (160-536)
- Access Panel Wall Bracket (140-1172)

## TMV Supply Connections



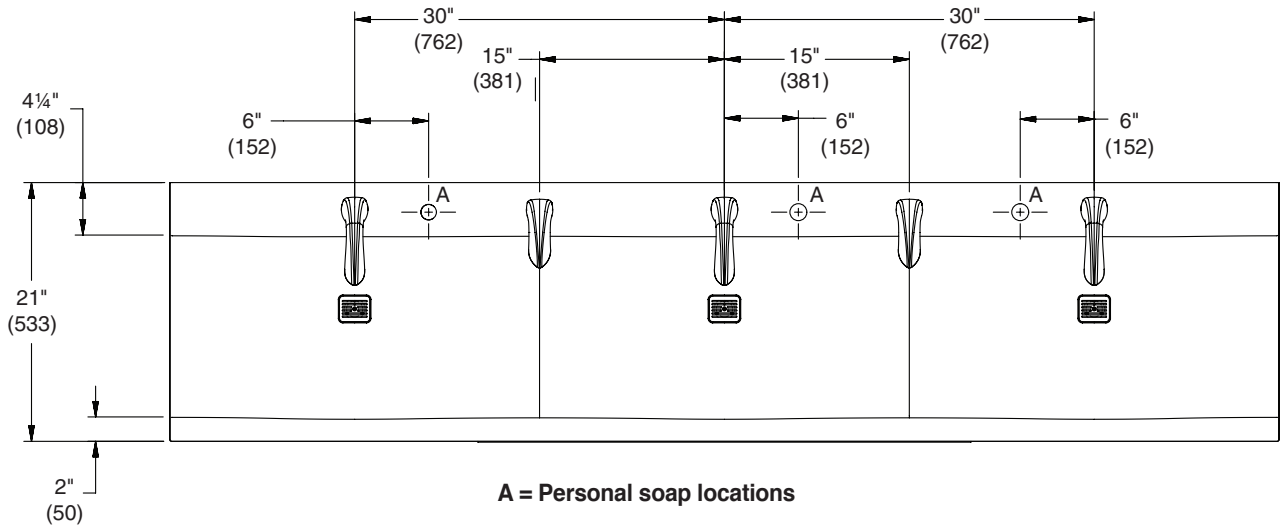
## Tempered Supply Connections



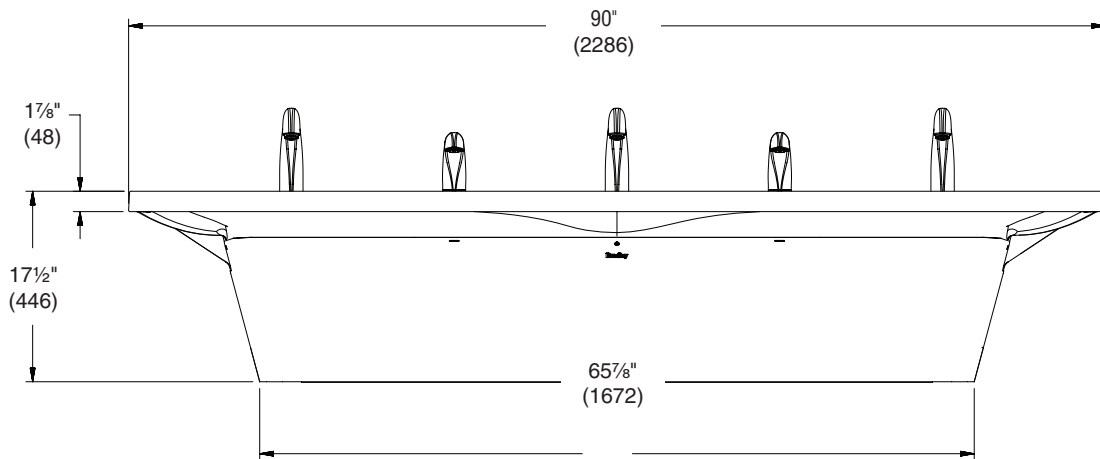
# Dimensions

(mm)

## Top View (shown with Crestt Series Faucet & Soap)



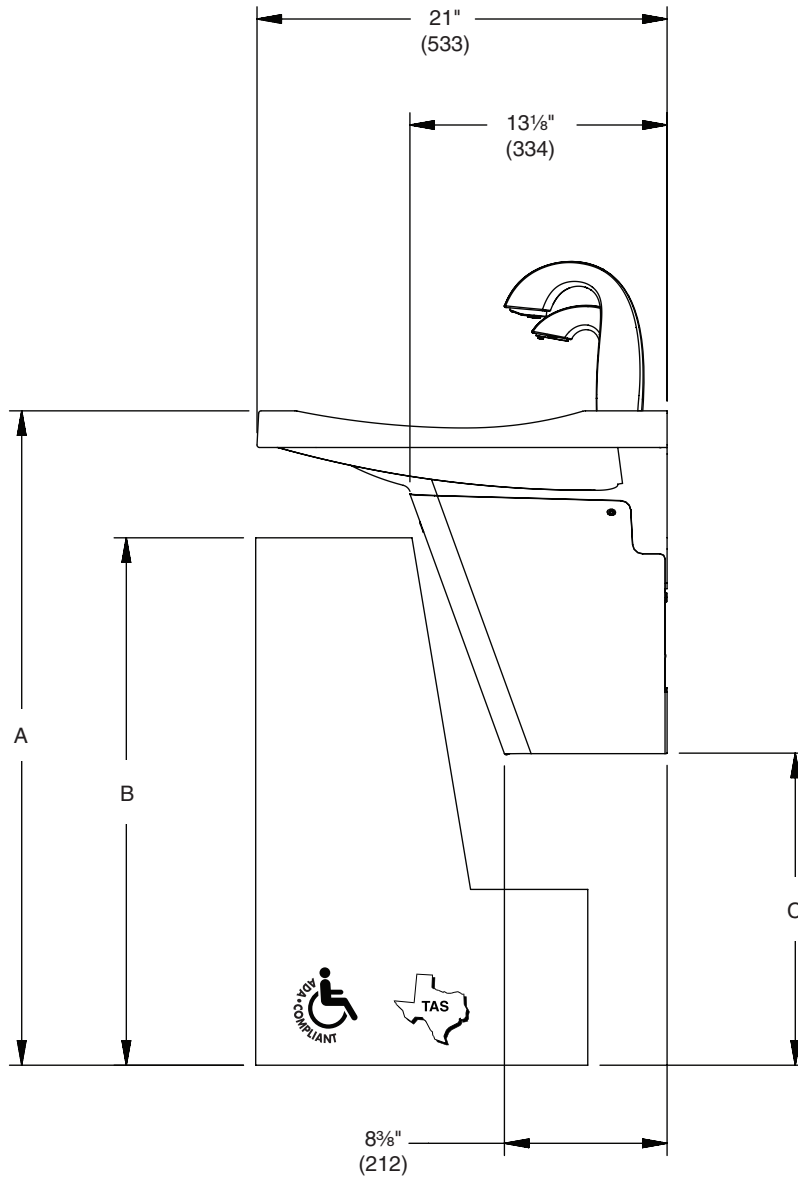
## Front View



# Dimensions

(mm)

## Side View



	ADA/TAS Standard Height	ADA/TAS Juvenile Height (Children 6-12 years)	CSA Standard Height	OBC Standard Height	AODA-2015 Standard Height
<b>Dim A</b>	33½" (851)	31" (787)	33½" (851)	33" (838)	32½" (826)
<b>Dim B</b>	27" (686)	24" (610)	29⅝" (752)	28⅙" (735)	28⅙" (735)
<b>Dim C</b>	15⅙" (405)	13⅞" (341)	16⅝" (414)	15⅞" (391)	14⅙" (379)

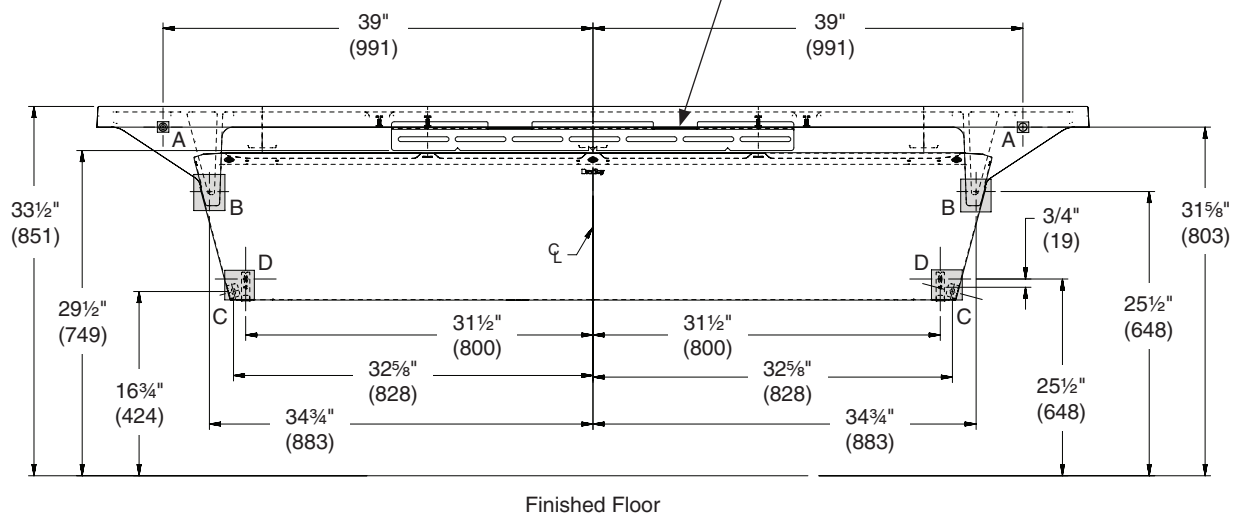
# Structural Rough-Ins

**⚠ WARNING** The bracket is not designed to support the bowl. Wall bracket is a temporary support until bowl is mounted at location "A". Ensure bowl is completely seated in the wall bracket and securely fastened to the wall at point A.

**✓** Mounting for Standard ADA and TAS height shown.

**✓** Points A, B, C, and D (highlighted in gray) require sufficient backing compliant with local building codes.

Secure bracket to wall using min. (2) 3/8" anchor bolts to the left of C/L and min. (2) 3/8" anchor bolts to the right of C/L. The (2) anchor bolts to the right of C/L must be min. 16" apart from the anchor bolts to the left of C/L. When mounting is complete, check to ensure the bracket is level. See Step 1: Bracket Mounting for more information.



CODE	DESCRIPTION	QTY.
A	Install (1) 3/8" wall anchor with a minimum pull-out force of 1,000 lb per local codes at locations shown.	2
B	Provide structural backing compliant with local building codes.	2
C	Install wall anchor with a minimum pull-out force of 100 lb per local codes at locations shown for fold-up access panel option.	2
D	Install wall anchor with a minimum pull-out force of 100 lb per local codes at locations shown for swing-down access panel option.	4

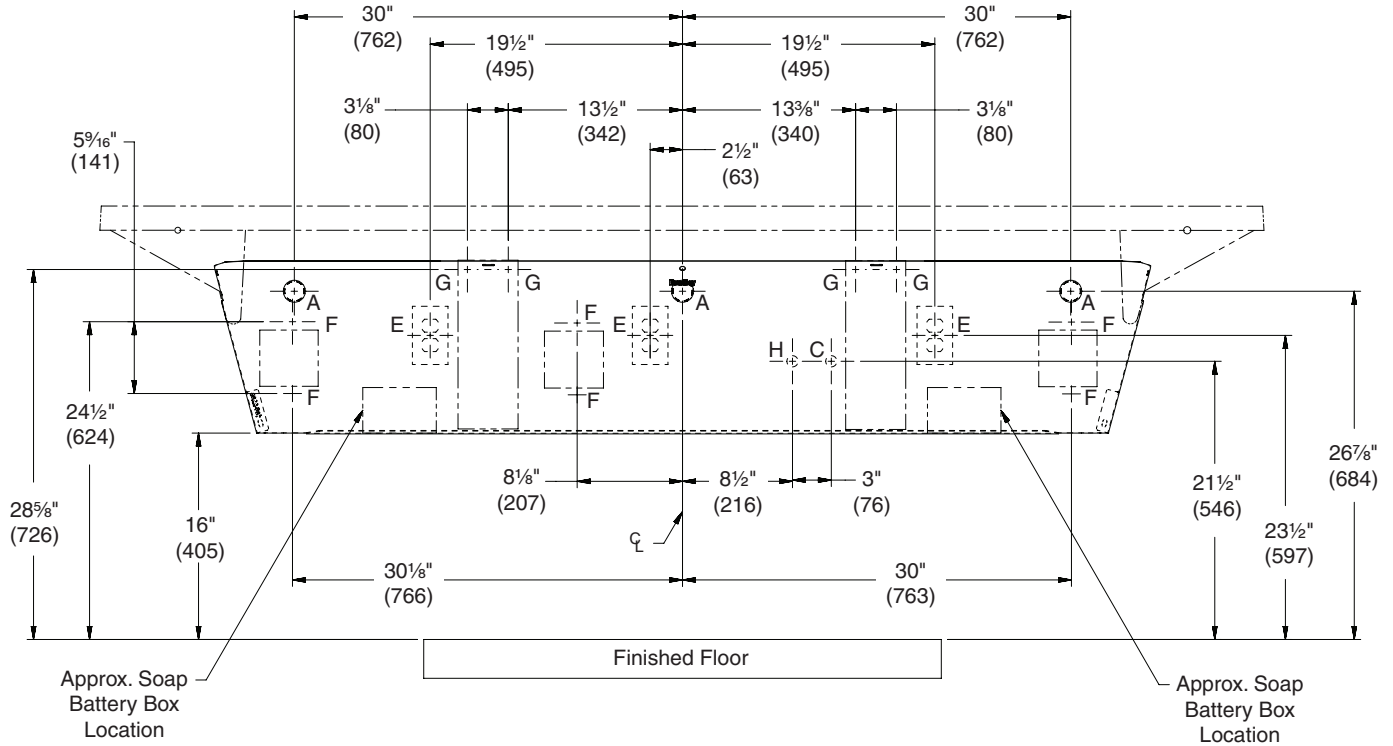
RIM HEIGHT	VERTICAL HEIGHT ADJUSTMENTS	FIXTURE STYLE
33 1/2"	No Adjustment	Standard Height ADA, TAS, and CSA
30 1/2"	Subtract 3"	Juvenile ADA and TAS
32 1/2"	Subtract 1"	AODA
33"	Subtract 1/2"	OBC

# Plumbing and Electrical Rough-Ins – Shared Soap

(mm)



Mounting for Standard ADA and TAS height shown.



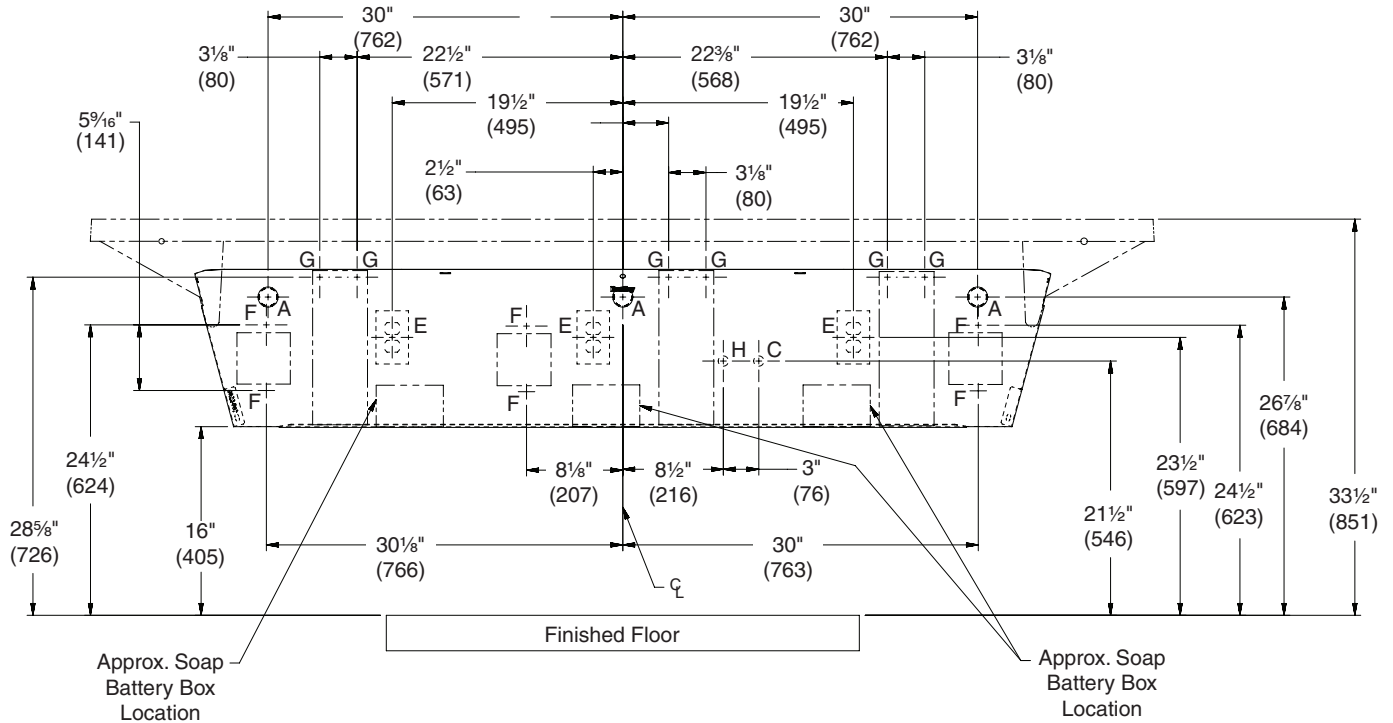
CODE	DESCRIPTION	QTY.
A	1-1/2" NPT Drain, Stub-out 2" from wall, <b>individual waste option</b>	3
H,C	1/2" Nominal (5/8" O.D. Comp.) Hot/Cold supplies, Stub-out 2" from wall	1
E	110V GFI protected electrical outlet (AC faucet and soap only)	3
F	#10 Anchors for Faucet Control Box Installation	6
G	#10 Anchors for Soap Tank Installation	4

# Plumbing and Electrical Rough-Ins – Personal Soap

(mm)



Mounting for Standard ADA and TAS height shown.



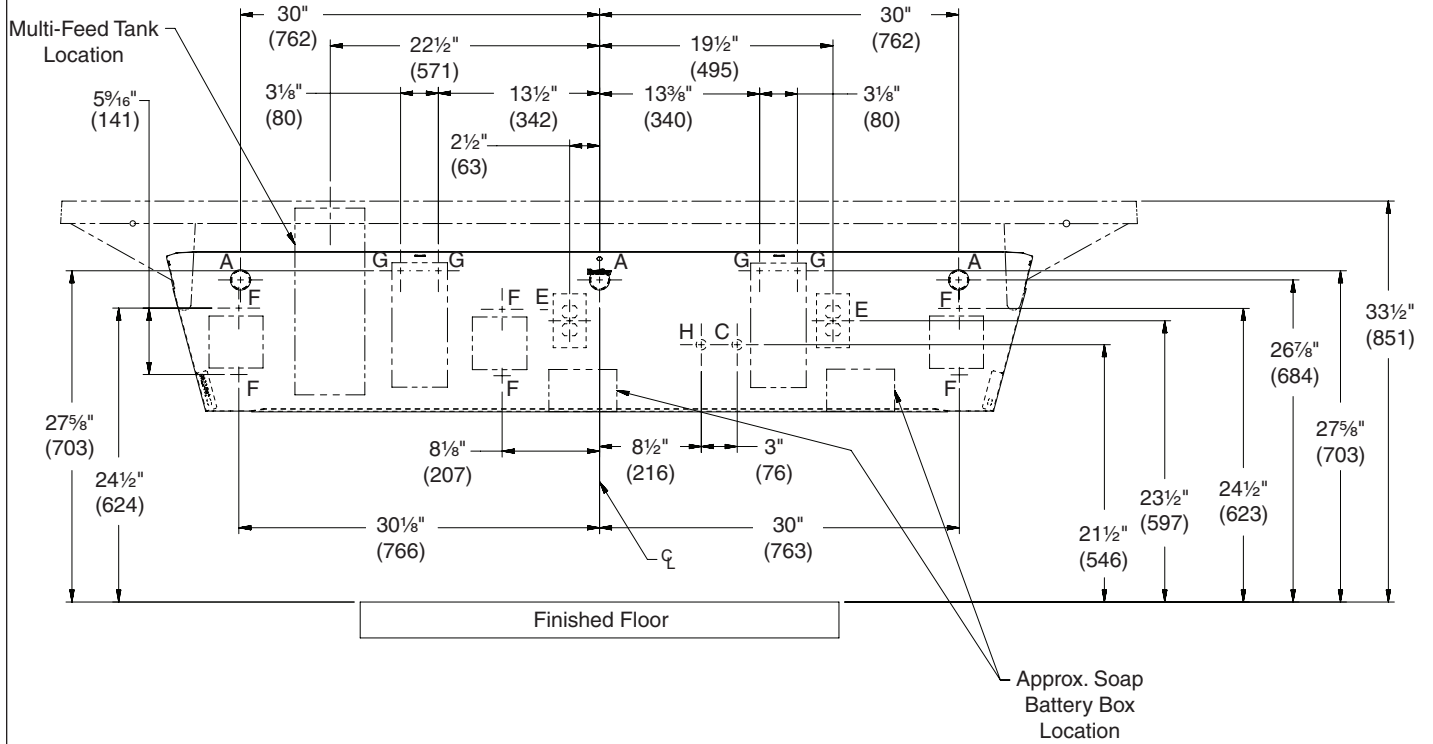
CODE	DESCRIPTION	QTY.
A	1-1/2" NPT Drain, Stub-out 2" from wall, <b>individual waste option</b>	3
H,C	1/2" Nominal (5/8" O.D. Comp.) Hot/Cold supplies, Stub-out 2" from wall	1
E	110V GFI protected electrical outlet (AC faucet and soap only)	3
F	#10 Anchors for Faucet Control Box Installation	6
G	#10 Anchors for Soap Tank Installation	6

# Plumbing and Electrical Rough-Ins – Multi-Feed Shared Soap



Mounting for Standard ADA and TAS height shown.

(mm)



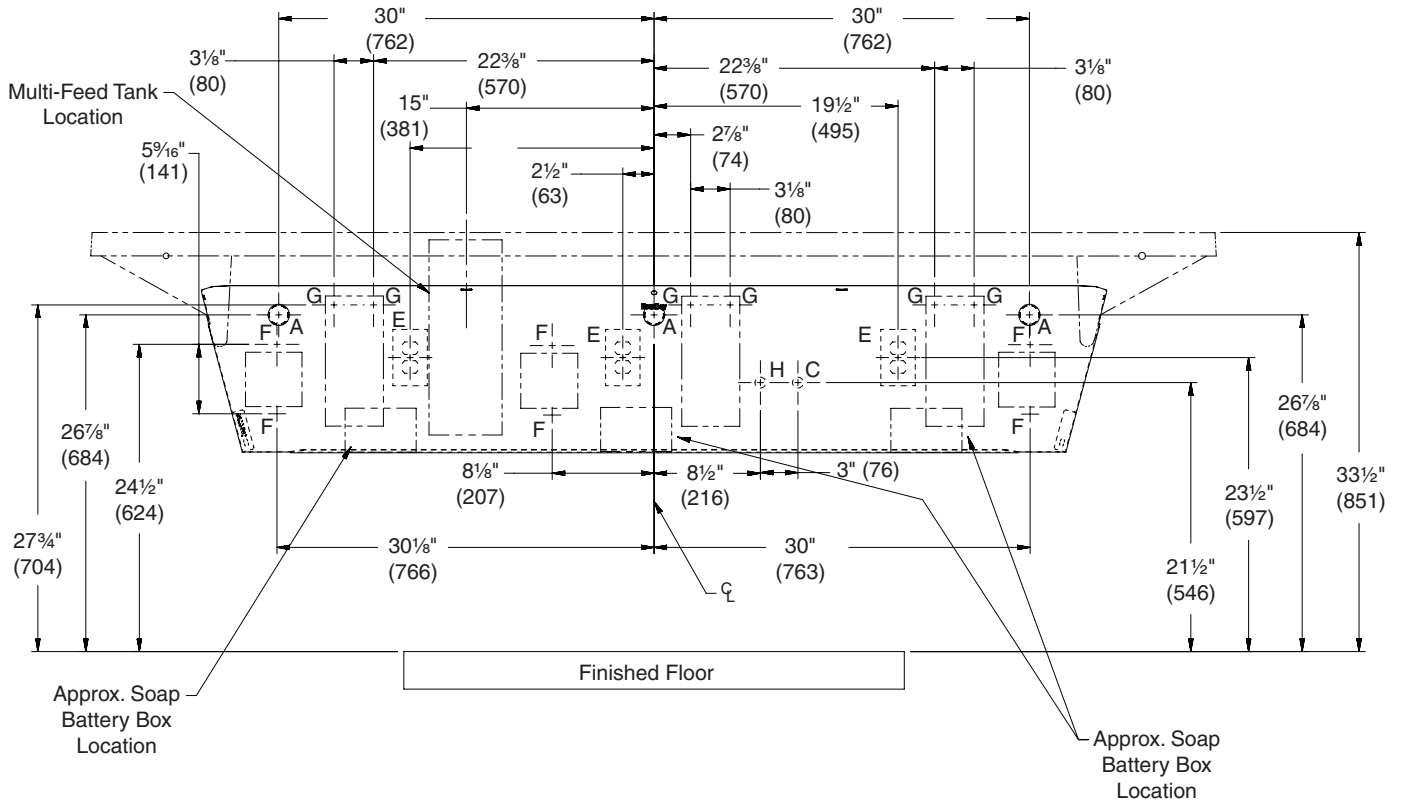
CODE	DESCRIPTION	QTY.
A	1-1/2" NPT Drain, Stub-out 2" from wall, <b>individual waste option</b>	3
H,C	1/2" Nominal (5/8" O.D. Comp.) Hot/Cold supplies, Stub-out 2" from wall	1
E	110V GFI protected electrical outlet (AC faucet and soap only)	3
F	#10 Anchors for Faucet Control Box Installation	6
G	#10 Anchors for Soap Tank Installation	4

# Plumbing and Electrical Rough-Ins – Multi-Feed Personal Soap




Mounting for Standard ADA and TAS height shown.


(mm)

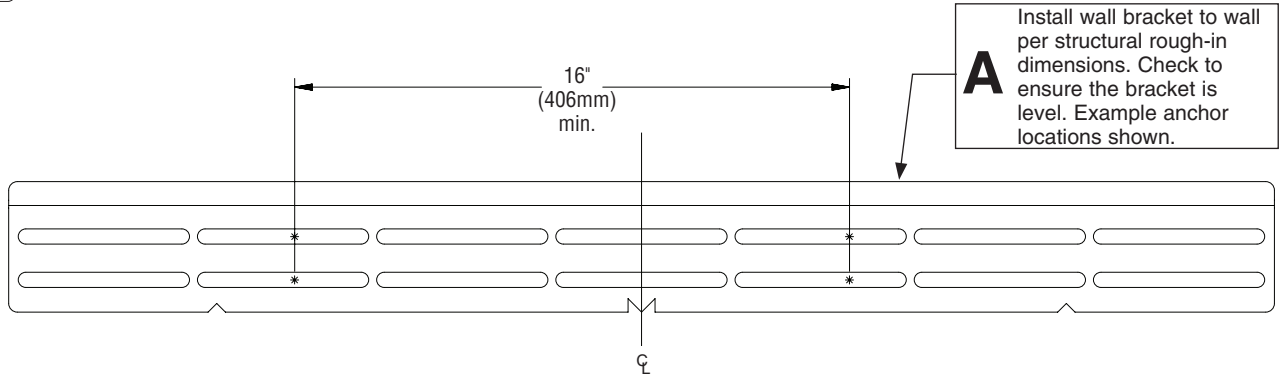


CODE	DESCRIPTION	QTY.
A	1-1/2" NPT Drain, Stub-out 2" from wall, <b>individual waste option</b>	3
H,C	1/2" Nominal (5/8" O.D. Comp.) Hot/Cold supplies, Stub-out 2" from wall	1
E	110V GFI protected electrical outlet (AC faucet and soap only)	3
F	#10 Anchors for Faucet Control Box Installation	6
G	#10 Anchors for Soap Tank Installation	6

# 1 Bracket Mounting

 Typical installation is shown. It may be necessary to repair the wall after mounting. The fixture may not cover all of the wall modifications.

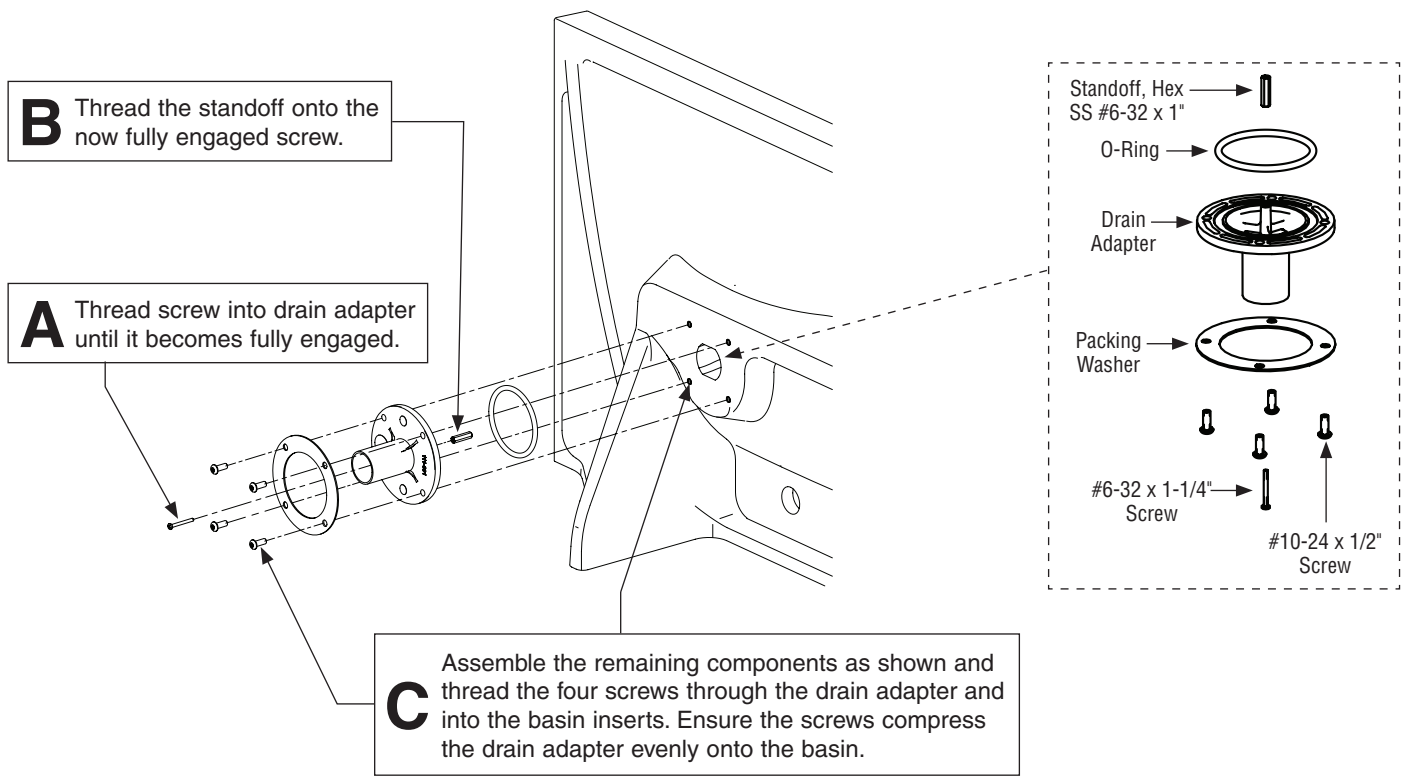
 Mounting height per structural rough-in dimensions.



**⚠ WARNING** The bracket is not designed to support the bowl. Wall bracket is a temporary support until bowl is mounted to wall.

# 2 Drain Assembly

 For ease of drain installation, lay the bowl on its back.



### 3 Faucet and Soap Installation



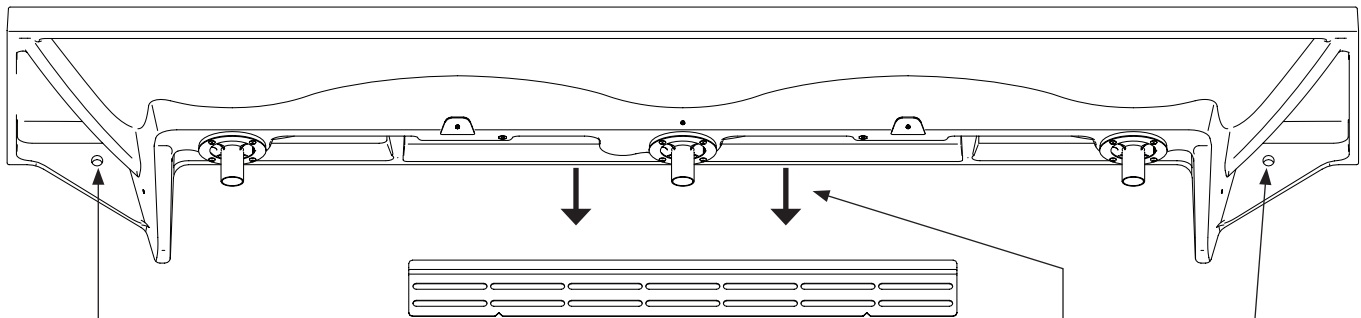
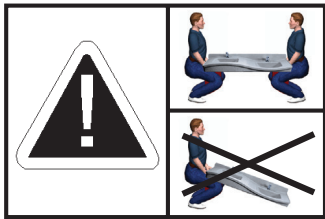
For ease of installation, leave the bowl laying on its back.



Follow the installation instructions shipped with the faucet and soap units for assembly and installation information.

### 4 Bowl Mounting (to Bracket and Wall)

**⚠ WARNING** Ensure bowl is completely seated in the wall bracket and securely fastened to the wall at point A.



**B**

Secure the bowl to the wall anchors using fasteners per the structural rough-in requirement (supplied by installer).

**A**

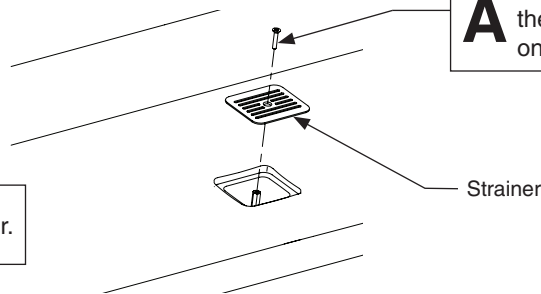
Position bowl above wall bracket. Press firmly on the back of the bowl to seat the bowl flange into the wall bracket lip. Ensure bowl is level.

## 5 Strainer and P-Trap



Ensure not to overtighten the strainer screw.

**A** Thread the strainer screw through the strainer and into the stand off on the drain adapter.



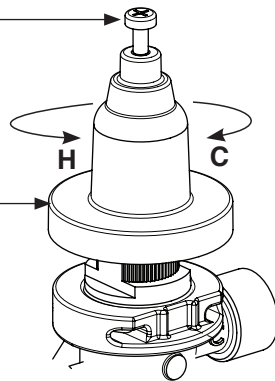
**B** Install supplied P-trap to drain adapter.

## 6 Adjust Temperature with Water Running

**⚠ WARNING** This valve is NOT factory preset. Upon installation, the temperature of this valve must be checked and adjusted to ensure delivery of a safe water temperature. Water in excess of 110°F (43°C) may cause scalding.

**A** Loosen cap screw about 1/4" (4–6 turns) and lift up cover (do not remove).

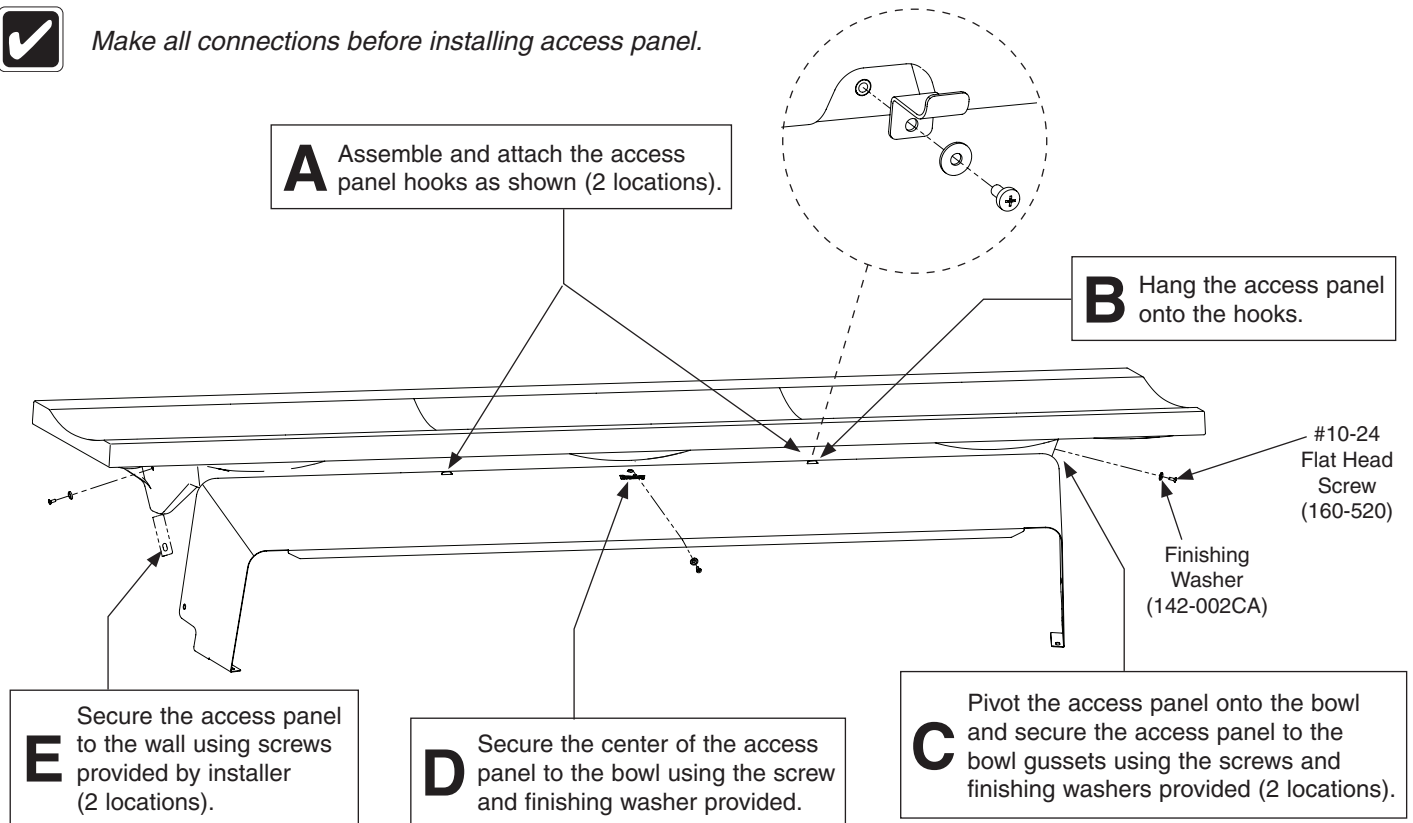
**B** Using cover, turn cartridge gently until desired water temperature is reached. Do not turn past stops as this may damage unit. Push cover down and tighten screw.



## 7a Access Panel – Fold-Up Option



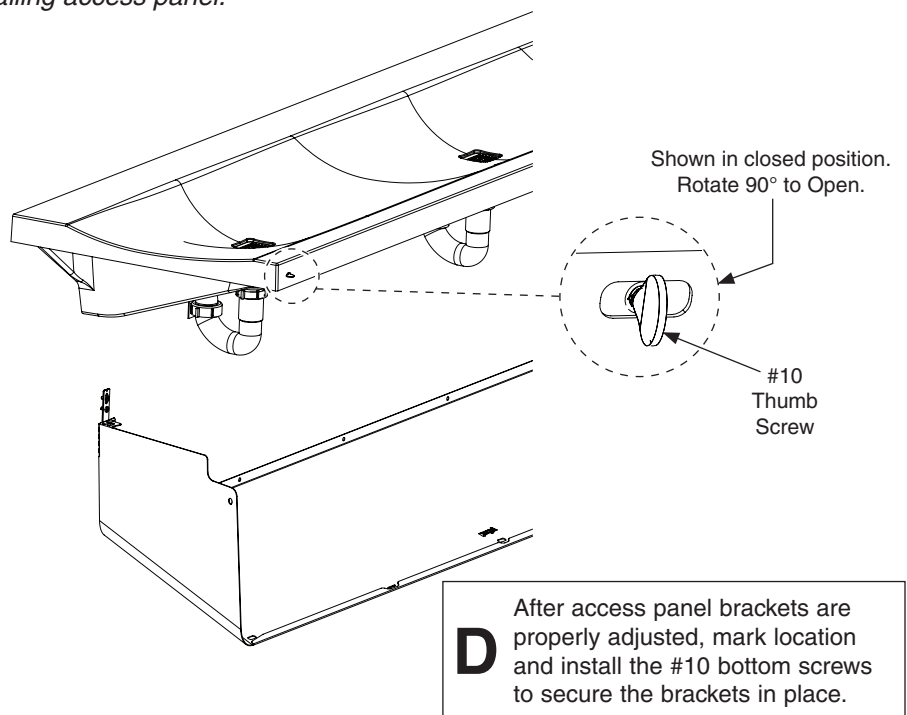
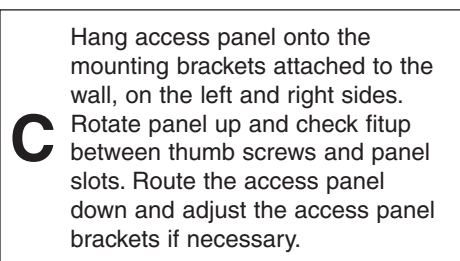
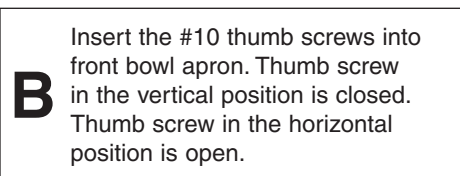
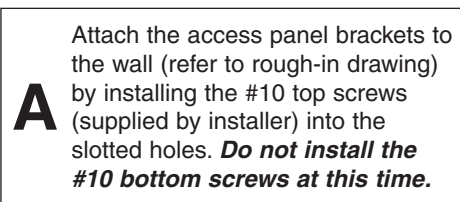
Make all connections before installing access panel.



## 7b Access Panel – Swing-Down Option



Make all connections before installing access panel.



## Cleaning and Maintenance for Evero

**Material Description:** Evero Natural Quartz Material is made of bio-based resin, natural quartz and other materials to resist chemicals, stains, burns, and impact. Variations in the natural stone color, pattern, size, shape, and shade are inherent. Due to these unique characteristics, please expect subtle shade variations when units are installed adjacent to each other.

**Routine Cleaning:** For regular cleaning, use mild neutral base cleaners.

**Stubborn Stains:** Remove tough stains, with non-abrasive cleaners and pads such as a white Scotch Brite® pad or Magic Eraser. Test on inconspicuous area prior to using the suggested products.

**Protecting the Surface:** To optimize material performance in high use areas, it is recommended to apply DryTreat Stain-Proof Original or equivalent as needed.

**Repair Kits:** Evero repair kits are available. Contact your Bradley representative or distributor for part numbers and pricing. Repair kits are made to order and have a shelf life of 30 days.

**NOTICE!** *Do not use strong acid or alkaline chemicals and cleansers to clean Evero. If these chemicals come in contact with the surface, wipe them off immediately and rinse with soapy water. Avoid contact with harsh chemicals such as paint remover, bleach, acetone, chloride based cleaners, floor cleaners, etc. Avoid contact with hot pans and objects.*

## Cleaning and Maintenance Instructions for Stainless Steel

**Material Description:** Stainless steel is extremely durable, and maintenance is simple and inexpensive. Proper care, particularly under corrosive conditions, is essential. Always start with the simplest solution and work your way toward the more complicated.

**Routine Cleaning:** Daily or as often as needed use a solution of warm water and soap, detergent, or ammonia. Apply the cleaning solution per the manufacturer's instructions and always use a soft cloth or sponge to avoid damaging the finish.

**Stubborn Stains:** To remove stains from stainless steel use a stainless steel cleaner and polish such as Ball® stainless steel cleaner or a soft abrasive. Always follow the manufacturer's instructions and apply in the same direction as the polish lines.

**NOTICE!** *Never use ordinary steel wool or steel brushes on stainless steel. Always use stainless steel wool or stainless steel brushes.*

## Special Situations for Material

**Fingerprints and Smears:** To remove fingerprints or smears use a high quality stainless steel cleaner and polish in accordance with the manufacturer's instructions. Many of these products leave a protective coating that helps prevent future smears and fingerprints.

**Grease and Oil:** To remove grease and oil use a quality commercial detergent or caustic cleaner. Apply in accordance to the manufacturer's instructions and in the direction of the polish lines.

**Precautions:** Avoid prolonged contact with chlorides (bleaches, salts), bromides (sanitizing agents), thiocyanates (pesticides, photography chemicals, and some foods), and iodides on stainless steel equipment, especially if acid conditions exist.

**NOTICE!** *Do not permit salty solutions to evaporate and dry on stainless steel.*

The appearance of rust streaks on stainless steel leads to the belief that the stainless steel is rusting. Look for the actual source of the rust in some iron or steel particles which may be touching, but not actually a part of the stainless steel structure.

**NOTICE!** *Strongly acidic or caustic cleaners may attack the steel, causing a reddish film to appear. The use of these cleaners should be avoided.*

**Brand Names:** Use of brand names is intended only to indicate a type of cleaner. This does not constitute an endorsement, nor does the omission of any brand name cleaner imply its inadequacy. Many products named are regional in distribution, and can be found in local supermarkets, department and hardware stores, or through your cleaning service. It is emphasized that all products should be used in strict accordance with package instructions.